



Wood burning fires and stoves

2022



 Dik Geurts

Lovers of the real wood fire

The name Dik Geurts has been synonymous with craftsmanship and design ever since the company was founded, and over the past 40 years it has become a household name in the fireplace world. Since 2007 Dik Geurts has been fully integrated in DRU Verwarming B.V., an innovative company that has guaranteed top quality for centuries.

In addition to being designers, we at Dik Geurts are particularly fond of the real wood fire. In our factory in Duiven, The Netherlands, we work hard every day on the quality and ease of operation of our stoves and fires. With this brochure, we would like to show you how the combination of simplicity, experience and knowledge leads to beautiful fires and the most beautiful flames.

ENVIRONMENT Wood firing and aeration	4
WOOD STOVE TECHNOLOGY Ingenious technology, simple to use	8
DESIGN FIRES 2-Sided, Front and Tunnel	10
WOOD AND MULTI-FUEL STOVES 3-Sided and Front	20
INSERT AND BUILT-IN FIRES 3-Sided, 2-Sided, Front and Tunnel	40
CENTRAL HEATING FIRES Front fireplaces	58
TECHNICAL DATA Dimensions, connection options and characteristics	60

Icons used



kW | Output
Page 6



EA | External Air
Page 7



IR | Infrared
Page 9



RS | Room Sealed
Page 7



Save on wood,
fine dust and
the environment

All wood burning stoves and fires in the Dik Geurts range have a particularly high efficiency. A higher temperature is reached in these closed and clever woodburners, and as a result combustion is much more complete and efficient. Even residual soot particles are fully burned, so you save on wood, emit less particulate matter and soot particles, and thus protect the environment.



EcoDesign & Defra

From 1 January 2022, European legislation sets requirements for the minimum efficiency of a stove and the maximum emission of particulate matter. All our fires and stoves comply with this legislation and carry the EcoDesign 2022 label. Several Dik Geurts fires and stoves are also Defra approved.



Climate neutral

In principle, heating with wood is CO₂ neutral. During the growth phase of a tree, CO₂ is absorbed from the air. When the tree is cut down and burned, the same amount of CO₂ is released into the atmosphere. In order to be able to remain climate neutral, sustainably sourced wood must be used. Therefore a new tree is planted for every tree that is cut down. This process ensures everything remains nicely in balance.

Energy label

The Dik Geurts wood burning stoves are provided with an energy efficiency label. The greener the label, the better it is for the environment. Our stoves are all in the A-class or better.



The right way to burn

The best setup

With the so-called **'Swiss method'** you can burn wood safely and cleanly. At the bottom of the stove you should place large logs, on top of which you should put small pieces of wood, and on top of those, firelighters. Replenish the heating space when all that is left is a glow bed. Place a number of logs with the cleft side down in the fire box and open the air supply.

The right wood

The fuel must be sufficiently dry and suitable as firewood. Good firewood has a moisture percentage of 15%-20%. You should never burn waste wood such as chipboard or old railway sleepers, or treated wood. The combustion of waste or treated wood can produce toxic fumes. As well as being unsafe, this is also very harmful to the environment.



Scan the QR code for an explanation video about burning wood.

The right output

The output of a wood burning fire or stove must match the space you want to heat. If you have a fire with too much output, the room will soon become too hot. You will then not be able to let the fire burn to its full capacity and this can cause odour nuisance or extra pollution of the chimney. If the power is too low, you run the risk that the fire will not heat the room enough. This is especially annoying when the fire has an important function in the heating of your home. Dik Geurts offers a wide range of stoves and fires for larger and smaller rooms. Because Dik Geurts fires can also be fired at low power (4 kW), they are extremely suitable for use in spring or autumn.



kW (Output, indicated in kilo Watt).

External air

Insulation of houses is improving more and more these days. To ensure that sufficient fresh air enters the house, ventilation systems are often installed. Depending on the situation in your home, you may need a specific type of connection (EA or RS) to feed air to the fire. The Dik Geurts EA fires can be fitted with an outside air connection. This way hardly any oxygen is taken out of your house. There are also RS fires with an outside air connection, which take the air for combustion almost completely from outside. These fires are ideal for very modern, airtight houses.



EA ('External Air'), used in neutral or overpressure situations. The vast majority of oxygen for combustion comes from outside.

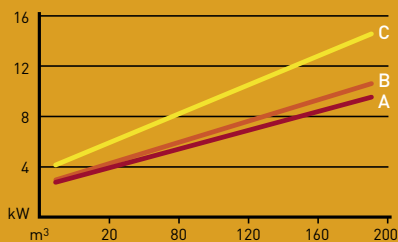


RS ('Room Sealed'), used for underpressure in the living room. Oxygen for combustion comes almost entirely from outside.



Calculate output

Calculate the content of the space you want to heat (length x width x height). Next, it is important to make get an idea of the extent to which your house is insulated. For example, do you have double-glazing and wall and floor insulation everywhere? Then your home belongs to type A. Is your home not optimally insulated, without double-glazing in every window? Then your home belongs to type B. Is your home poorly insulated and with no double-glazing? Then your home belongs to type C. Knowing this you can see in the graph below what capacity (in kilowatts) is needed to heat your home.



Warm heart for Uganda

At Dik Geurts we care for the world around us, and human beings also deserve our attention. In our project 'A fireplace for you, a future for her', part of the proceeds from our fires is used to provide women in Uganda with a microcredit for a tree plantation.





Thoughtful
technique,
simple
to use

A Dik Geurts wood stove is not just a cabinet in which you can burn wood. It is a thoughtfully-designed device that ensures efficient and clean combustion at a high efficiency. Our fires and stoves have a closed combustion chamber (so no grate) that provides good insulation, and the flue gases that are released during combustion are led outside via an ingenious labyrinth.

Simple operation

Dik Geurts fires and stoves are easy to operate. They have a single lever to regulate the surprisingly sophisticated air supply. Thanks to this, Dik Geurts fires and stoves ignite very easily.

Infrared glass

At Dik Geurts we use infrared glass for a number of our fires and stoves to circulate the heat in the fire box. This gives a higher efficiency, retains the heat in the fire and as a result the glass stays clean much longer.



Vermiculite

The combustion chambers of all Dik Geurts fires are insulated with heat-retaining vermiculite. For a nice contrast with the yellow flames, the vermiculite in the combustion chamber of our design fires is coloured dark anthracite.

Floor plates

For a complete set-up and extra protection of the floor, we offer round, rectangular and square floor plates. Finished in dark anthracite steel and available in different sizes.

A Dik Geurts wood stove always has a high efficiency, low emissions of CO and fine dust and ultimate fire control. Guaranteed.

Simple operation: just one lever



Optional floor plate



Design fires

The eye-catcher
for every interior





A design fire gives your home character and can be the beating heart of any interior. The Dik Geurts design fires can seem to float in space and at the same time form a natural unity with the rest of the room.

Page
12



ODIN FRONT

Base
Fixed
Plateau
Wall

Page
14



ODIN TUNNEL

Base
Fixed
Plateau

Page
16



BORA CORNER

Cubes
Fixed
Floating Plateau
Straight Plateau
Wall

Odin

Function and design go hand in hand perfectly

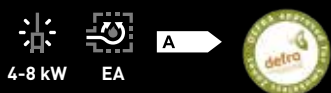
The unique, round design not only makes the Odin a real eye-catcher, but its shape also makes for a great flame picture.

- Faster warmth while environmentally friendly
- Unique round glass window
- Hanging, on a plateau/base or on the wall



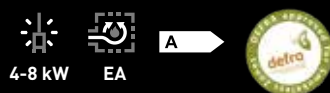
Odin Front, Fixed

Efficiency 75,2%
WxDxH 606x380x606 mm



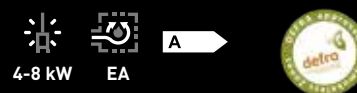
Odin Front, Wall

Efficiency 75,2%
WxDxH 606x415x606 mm



Odin Front, Base

Efficiency 75,2%
WxDxH 606x600x940 mm



Scan the QR code for a preview



Odin Front, Plateau

Efficiency 75,2%
WxDxH 1600x380x842 mm



4-8 kW



EA

A



Scan the QR code
for a preview



Odin Tunnel, Fixed

Efficiency 75,0%

WxDxH 606 x 400 x 606 mm



6-10 kW

EA



Scan the QR code
for a preview



Ultimate fire
experience with
two-way visibility
and warmth



Odin Tunnel, Base

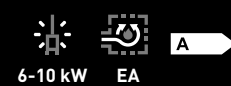
Efficiency 75,0%
WxDxH 606 x 600 x 940 mm



6-10 kW EA

Odin Tunnel, Plateau

Efficiency 75,0%
WxDxH 1600 x 400 x 842 mm



6-10 kW EA



Bora Corner

Robust cube with double-sided fire view

The two-sided glass window of the Bora Corner design fires gives a beautiful fire view. Hanging in the room or standing on a plateau, the Bora provides warmth and atmosphere throughout the area.

- Choose a left or right version
- Design fireplace for any position in the house
- Wide output range, optimally adjustable

Bora Corner, Cubes

Efficiency 78,1 %
WxDxH 625x577x1030 mm



Scan the QR code
for a preview



Bora Corner, Fixed

Efficiency 78,1 %
WxDxH 505x410x510 mm



Scan the QR code
for a preview



Bora Corner, Floating Plateau

Efficiency 78,1 %
WxDxH 1200x450x829 mm



Scan the QR code
for a preview

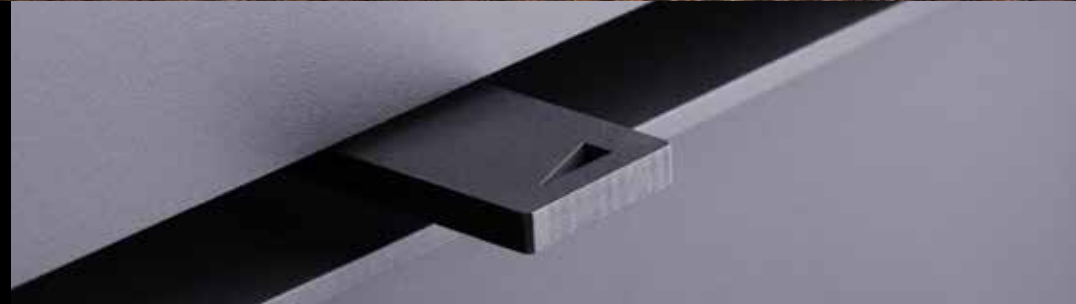
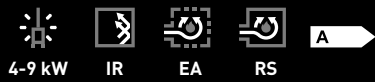




Scan the QR code
for a preview

Bora Corner, Straight Plateau

Efficiency 78,1 %
WxDxH 1500x450x879 mm



Plateau for wood
storage is available
in different sizes



Bora Corner, Wall

Efficiency 78,1 %
WxDxH 505x448x510mm



4-9 kW



IR



EA



RS



Scan the QR code
for a preview

Wood and multi-fuel stoves

Highlight of
atmosphere
and warmth



A long gaze into dancing flames, the cosy sound of a real crackling fire and the warmth from a natural source. With a Dik Geurts wood fire you bring the old-fashioned cosiness of a campfire to your living room.

Page
22



VIDAR
Triple
Wall

Page
24




KALLE

Page
25



FOLKE

Page
26



MODIVAR 5
Store Front
Store Corner
Floating Plateau
Straight Plateau

Page
29



SOREN 5

Page
30




ASTE 5

Page
31




LARS
1000

Page
32



IVAR
5, Low
5, High
5, Store
8, Low
8, Store

Page
38



JANNIK
Medium, Low
Medium, High
Large

Vidar

Great flame picture and very high efficiency

The Vidar stoves are equipped with heat-reflecting infrared glass that provides a remarkably high efficiency of 88% and clean windows during firing. Combine that with a huge window surface and you are guaranteed to have a great view of the flames.

- High efficiency stove (88%)
- Heat reflective infrared (IR) glass
- Thanks to wide output range also suitable for smaller living rooms

Vidar Triple

Efficiency 88,0%
WxDxH 662x410x850 mm



Scan the QR code
for a preview



Vidar Wall

Efficiency 88,0%
WxDxH 662x430x535mm



4-9 kW



IR



EA



A+



Scan the QR code
for a preview

Kalle

Extra large
windows for
optimum
fire view

The Kalle is an industrial wood burning stove with a handy wood compartment under the fire box. The three large windows provide a magnificent view of the flames.

- Tight freestanding wood burning stove with wood storage
- Fire view from three sides
- Economical in use due to very high efficiency (85%)



Kalle

Efficiency 85,0%
WxDxH 546x415x1000 mm



4-8 kW



EA

A+

Folke



Folke

Efficiency 77,3%
WxDxH 476x410x1000 mm

4-8 kW IR EA RS A+

Thanks to the Folke's three-sided fire view, you can enjoy the lively flames even more. The wood compartment underneath the fire box gives this stove a rustic and atmospheric look, even when the stove is not burning.

- Unique air slide
- Heat reflective (infrared) side windows
- Suitable for mechanically ventilated and passive houses

Atmospheric,
even when
the stove is
not burning

Modivar 5

Tight shapes and ultimate fire control

Thanks to their sleek shapes and dark steel, Modivar stoves are ideal for a modern interior. If you are looking for something really special then a floating plateau is worth it.

- Ultimate fire control thanks to simple air slide
- Integrated door handle
- Choice of wood compartments and plateaus

Modivar 5, Floating Plateau

Efficiency 82,0%
WxDxH 1200x450x857 mm



Modivar 5, Straight Plateau

Efficiency 82,0%
WxDxH 1500x450x907 mm



Modivar 5, Store Front

Efficiency 82,0%
WxDxH 450x368x1000 mm





Modivar 5, Store Corner

Efficiency 82,0%
WxDxH 450x368x1000 mm



4-7 kW



EA



RS



A+



Scan the QR code for a preview



Soren 5

Compact and space-saving

The Soren 5 has a sturdy appearance with crisp lines and plenty of fire visibility. It is easy to install in an existing situation. The cast-iron door and the classic legs give the stove a robust appearance.

- Ideal for placing in an existing fireplace
- Chimney connection only 10 cm from the back
- Stylish door handle

Soren 5

Efficiency 82,0%
WxDxH 450x350x570 mm



4,9-7 kW



EA



RS

A+



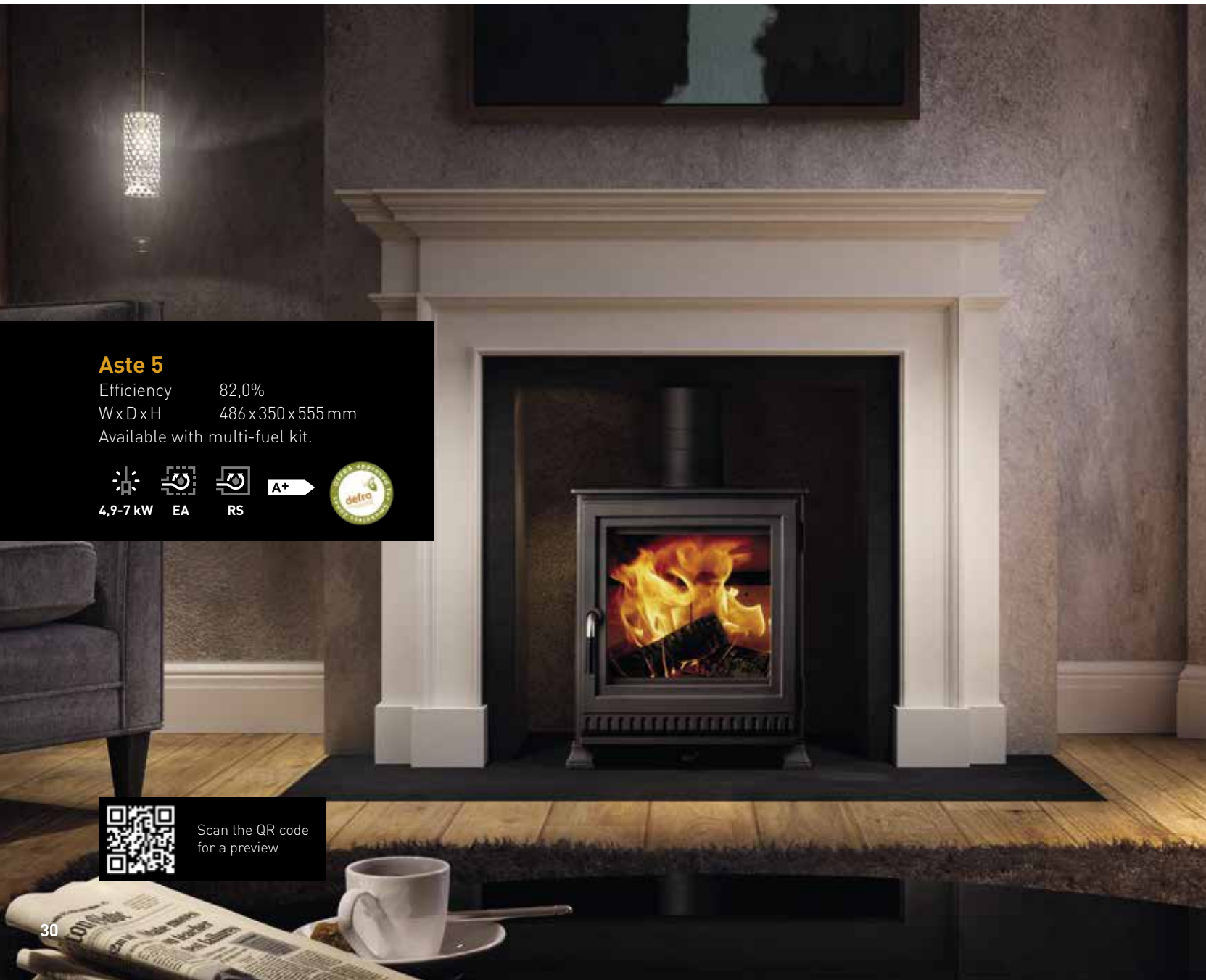
Scan the QR code
for a preview

Aste 5

Woodburning stove with rural countryside look

The compact Aste wood burning stove has a classic look thanks to its beautifully designed legs and a sturdy cast iron door.

- Classic look
- Cast iron door
- Low particulate emissions thanks to high-quality combustion



Aste 5

Efficiency 82,0%
WxDxH 486 x 350 x 555 mm
Available with multi-fuel kit.



4,9-7 kW



EA



RS

A+



Scan the QR code
for a preview

Lars 1000



Scan the QR code
for a preview

Atmosphere, heat and slow-cooking

Above the glass window of the Lars 1000 wood burning stove there is a room that can be used as an oven. This stove offers atmosphere, warmth and also the possibility to prepare simple dishes.

- Unique oven at the top of the stove
- High efficiency
- Low particulate emissions thanks to high-quality combustion

Lars 1000

Efficiency 82,0%
WxDxH 448x348x1000 mm



Ivar 5

Versatile source of atmosphere for the real enthusiast

The Ivar series is recognisable by the sleek cast iron door that offers a full view of the flames. Ivar stoves combine a compact and stylish appearance with the technically advanced combustion process for which Dik Geurts is known.

- Removable 'cold' handle
- Suitable for installation in existing spaces
- Wide output range & extremely low emissions





Ivar 5, Low

Efficiency 82,0%
W x D x H 450 x 350 x 555 mm
Available with multi-fuel kit.



4,9-7 kW



EA



RS



A+





Ivar 5, High

Efficiency 82,0%
WxDxH 450x350x660 mm
Available with multi-fuel kit.



Cast iron door with
removable handle



Ivar 5, Store

Efficiency 82,0%
WxDxH 450x350x850 mm
Available with multi-fuel kit.



4,9-7 kW



EA



RS



A+

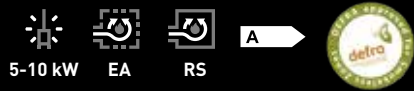


Ivar 8



Ivar 8, Low

Efficiency 76,6%
WxDxH 540x350x555 mm
Available with multi-fuel kit.



5-10 kW

EA

RS

A



Scan the QR code
for a preview



Ivar 8, Store

Efficiency 76,6%
WxDxH 540x350x850 mm
Available with multi-fuel kit.



5-10 kW



EA



RS



A



Large glass
window with wide
view of the fire



Jannik

Strikingly beautiful details, typically Dik Geurts

With the stoves in the Jannik series you recognise the robust details that are typical for the designs of Dik Geurts. Clean lines, sturdy hinges and a unique, slim handle. This handle provides easy access to the inside of the stove.

- Unique handle
- Wide power range
- Economical firing due to high efficiency of 87%



Jannik Medium, High

Efficiency 82,0%
WxDxH 550x375x900 mm



Jannik Medium, Low

Efficiency 82,0%
WxDxH 550x375x680 mm





Jannik Large

Efficiency 87,0%
WxDxH 620x380x780 mm



4-8 kW



EA

A+ →



Inserts and built-in fires

The solution for
renovation and
new construction

Inserts are designed for installation in an existing situation. When converting or renovating, an old fire can be replaced easily by a modern and environmentally friendly fire with a higher output. Built-in fires are placed predominantly in new situations.

Page
44



INSTYLE
Triple 660 Low

Page
45



INSTYLE
Tunnel 700

Page
45



PROSTYLE
Tunnel 700

Page
46



INSTYLE
Corner 660 High
Corner 660 Low
Corner Slim 660/495

Page
50



INSTYLE
500
550
600
650
700
800
1000

Page
52



PROSTYLE
500
550
600
650
700
800
1000

Page
54



INSTYLE
600V

Page
54



PROSTYLE
600V

Instyle & Prostyle

Inserts and built-in fires for every interior

Dik Geurts has a wide range of inserts and built-in fires. Tunnel fires, 3-sided fires, fires with an extra large glass window and different kinds of frames; we have a suitable fire for every interior.

The Instyle fires have a completely clear glass window. The Prostyle range with screen-printed glass are made for an even more beautiful view of the fire.



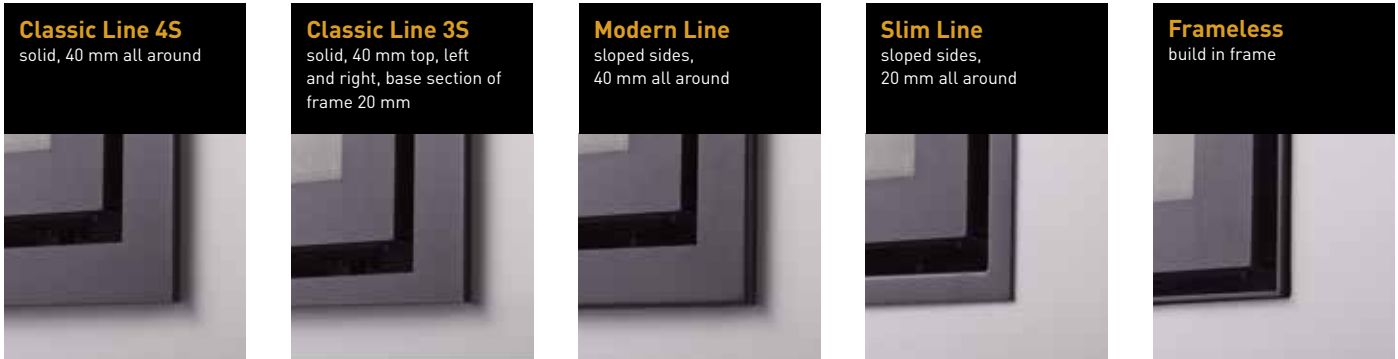
Instyle
Clear glass window



Prostyle
Black screen-printed glass

Frames for front and tunnel fires

Instyle and Prostyle 500, 550, 600, 650, 700, 800, 1000, Tunnel



Frame type	Instyle/Prostyle							
		500	550	600	650	700-Tunnel ¹⁾	800	1000
Classic Line 4S	WxH	580x537	587x617	660x537	710x552	760x657	860x637	1060x637
Classic Line 3S	WxH	580x517	n/a	660x517	710x532	n/a	n/a	n/a
Modern Line	WxH	580x537	587x617	660x537	710x552	760x657	860x637	1060x637
Slim Line	WxH	540x497	547x577	620x497	670x512	720x617	820x597	1020x597
Build in 3 mm	WxH	600x557	607x637	680x557	730x572	780x677	880x657	1080x657
Build in 8 mm	WxH	n/a	n/a	600x477	650x492	700x597	n/a	n/a

¹⁾ Frames on the Tunnel can be combined.

Frame for fires with fans 600V



Frame type	Instyle/Prostyle V	
	600V	
Modern Line	WxH	660x649

Custom-made solutions

The Dik Geurts product options are extensive. Yet it may be that nothing fits. But, there is a solution! We can produce a custom-made insert fire for you at a small additional charge.

Custom-made frames

Instyle/Prostyle Front 500-1000 range, Tunnel 700.

- Solid frames Classic Line 4S
- Width 12-100 mm

Triple

Three sided glass and three sided fire

To ensure the highest possible efficiency, this insert is fitted with side windows with heat-reflecting infrared glass. This fire is only 49.5 cm high and therefore ideal for installation in most existing fireplaces.

- High efficiency and clean windows
- Subtle corner bars for better fire vision
- Suitable for installation in existing situation

Instyle Triple 660 Low

Efficiency 88,0%
WxDxH 662x380x495 mm



4-9 kW

IR

EA

A+



Tunnel



Instyle Tunnel 700

Efficiency 83,0%
WxDxH 760x550x657 mm



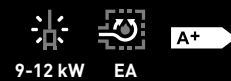
The see-through Instyle Tunnel 700 fire has a hinged glass door on two sides. Thanks to its high output, this fire is ideal as a room divider in larger rooms.

- Beautiful see-through tunnel
- High output up to 12 kW
- In RS version almost completely airtight

Splendid fire from two sides

Prostyle Tunnel 700

Efficiency 83,0%
WxDxH 760x554x657 mm

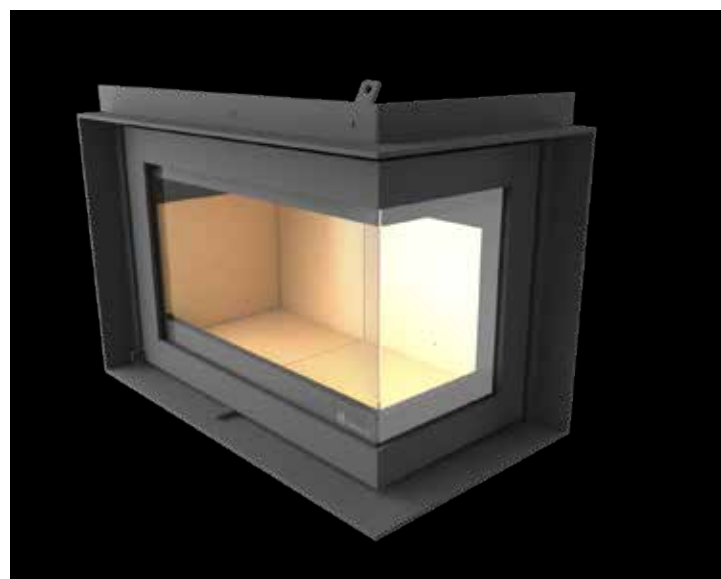


Corner

Unique panoramic fire view

These two-sided wood stoves are characterised by their panoramic fire view. The glass panes are placed against one another in the corner. This continuous glass window, without a metal corner post between the two panes, provides a full view of the fire.

- Optimal view of the fire
- High efficiency
- Perfect for an existing chimney or new construction
- Optional build in frame (see picture on the right)



Instyle Corner Slim 660/570

Rendement 80,0%
B x D x H 660 x 350 x 570 mm



Scan de QR code voor een preview

Instyle Corner Slim 660/495

Efficiency 75,2%
WxDxH 660x350x495 mm


4-10 kW


EA


RS

A



Scan the QR code
for a preview

Spacious
insert
with wide
fire view

Instyle Corner 660 High

Efficiency 83,0%
WxDxH 660x350x520 mm



Instyle Corner 660 Low

Efficiency 83,0%
WxDxH 660x350x495 mm



4-9 kW



EA

A+



Front



Instyle 550

The Instyle/Prostyle series consists of a number of models with different sizes, all using the same modern Dik Geurts techniques. With an Instyle you are assured of optimal enjoyment of a quality fire.

- Environmentally conscious enjoyment of fire
- Multi-purpose insert and built-in fires
- Different styles of detachable frames
- Choice of different frame types

Specially designed for existing situations

Instyle 500

Efficiency 82,0%
WxDxH 580x350x537 mm



3-7 kW EA



Instyle 550

Efficiency 81,0%
WxDxH 587x350x617 mm



3-7 kW EA



Instyle 600

Efficiency 79,6%
WxDxH 660x360x537 mm

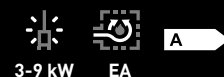


3-7 kW EA



Instyle 650

Efficiency 80,5%
WxDxH 710x380x552 mm

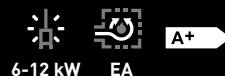


3-9 kW EA



Instyle 700

Efficiency 81,6%
WxDxH 760x400x657 mm

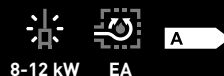


6-12 kW EA



Instyle 800

Efficiency 76,6%
WxDxH 860x400x637 mm



8-12 kW EA



Instyle 1000

Efficiency 77,7%
WxDxH 1060x400x637 mm



9-13 kW EA



Front

Beautiful fire view
thanks to screen-printed
glass

Prostyle 500

Efficiency 82,0%
WxDxH 580x344x537 mm



3-7 kW EA



Prostyle 550

Efficiency 81,0%
WxDxH 587x344x617 mm



3-7 kW EA



Prostyle 600

Efficiency 79,6%
WxDxH 660x354x537 mm

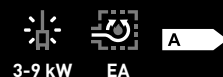


3-7 kW EA



Prostyle 650

Efficiency 80,5%
WxDxH 710x374x552 mm



3-9 kW EA



Prostyle 700

Efficiency 81,6%
WxDxH 760x394x657 mm



6-12 kW EA



Prostyle 800

Efficiency 76,6%
WxDxH 860x394x637 mm

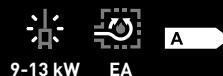


8-12 kW EA



Prostyle 1000

Efficiency 77,7%
WxDxH 1060x394x637 mm



9-13 kW EA



Prostyle 1000



Ventilated



Prostyle 600V



Fire insert with ventilating fan

These ventilated inserts are equipped with a ventilating fan, which heats a room faster. When switched on, a pleasant, warm airflow can be felt from the front of the fire or through the convection openings.

- Rapid heat dispersion
- Manual or automatic operation
- Different types of detachable frames



Instyle 600V

Efficiency 79,6%
WxDxH 660x385x649 mm



4-7 kW EA **A**



Prostyle 600V

Efficiency 79,6%
WxDxH 660x379x649 mm



4-7 kW EA **A**



Easy installation of the Instyle and Prostyle fires

The various connection options ensure that the stove is quick and easy to install, regardless of the installation situation. There are three options for flue gas extraction, for exact dimensions see page 65.

1. Connection without drain material to an existing chimney flue (sealing with ceramic wool)
2. Connection with flexible or fixed pipe (**Liner Kit Pro**), Ø 150 or 180 mm
3. Connection with rejuvenated pipe (**connection piece**), Ø 150 or 180 mm

External air kit

Kit for supply of fresh air from outside.

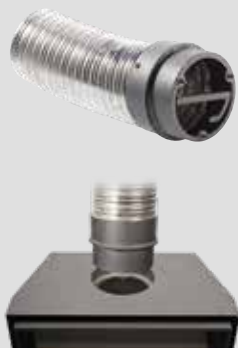
- Ideal for fully insulated houses
- Optional at 500
- 1000V, 600V, Tunnel (only base)
- For rear and base connection
- Dimensions: Ø 80 mm



Linerkit Pro

Connection piece for flexible or rigid pipe.

- Optional with: 500 - 1000, 600V, Corner, Triple, Tunnel
- Connectable from the inside of the fire
- Reducer with 3 screw holes
- Dimensions: Ø 150 mm, Ø 180 mm



Connection piece

Connection piece for rejuvenated pipe.

- Optional at: 500 - 1000, 600V, Corner, Triple, Tunnel
- Reducer with 3 screw holes
- Dimensions: Ø 150 mm, Ø 180 mm



Convection kit

Connecting rings (2 pieces) for mounting on the convection holes.

- Optional with: 500 - 1000, 600V, Corner Slim, Tunnel
- For more heating power
- Dimensions: Ø 125 mm



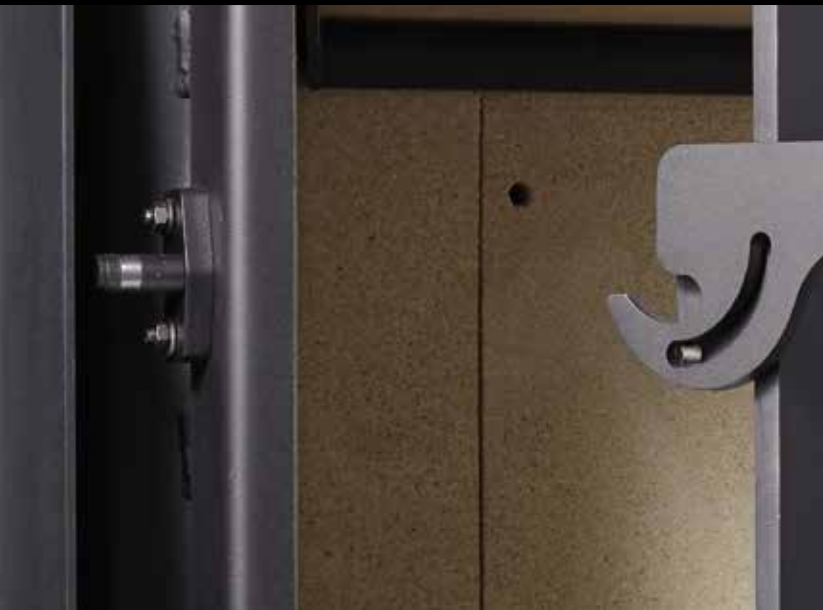


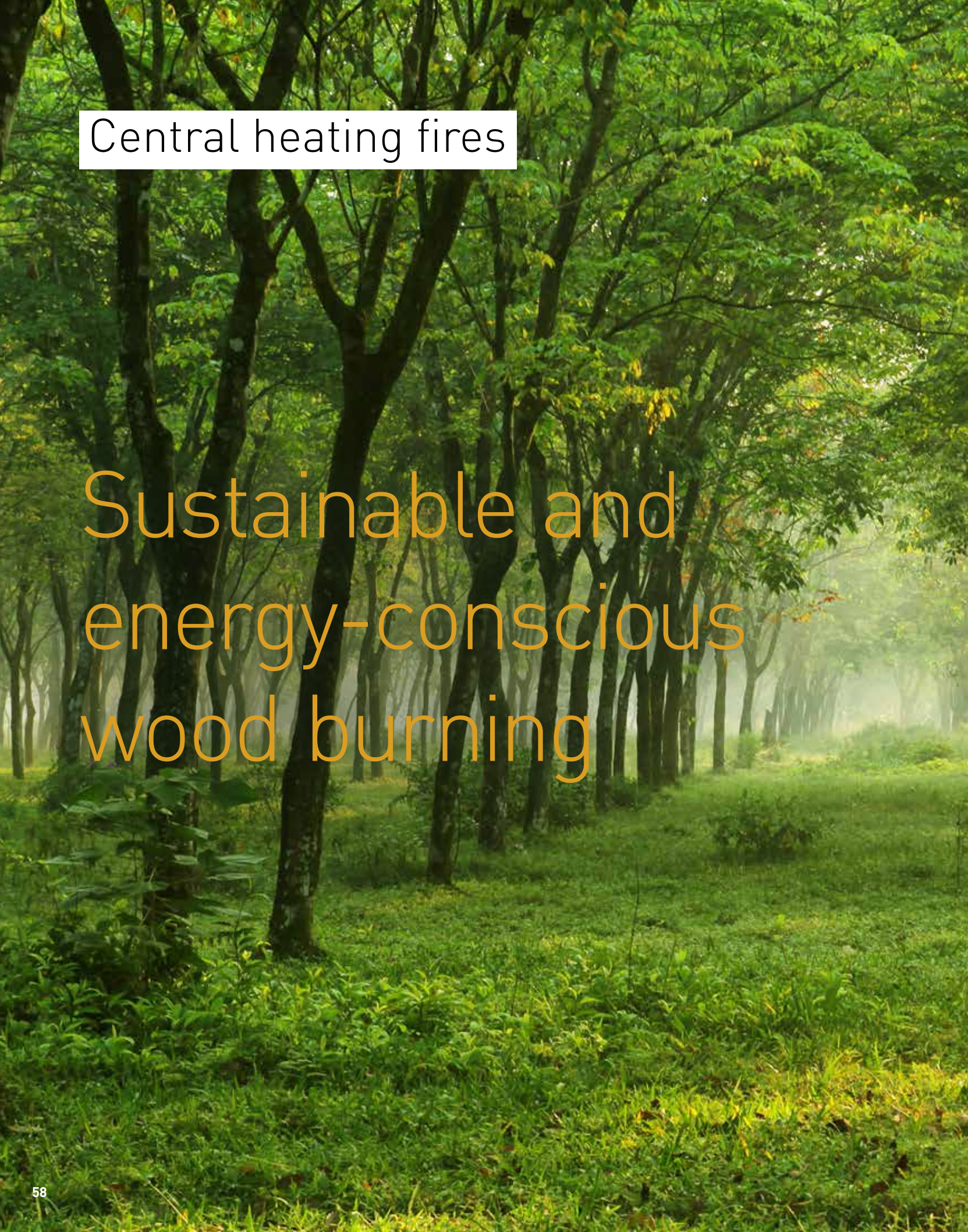
Easy air control

- At the front of the fire
- Both Instyle and Prostyle finishes

Door lock

- Stable and flexible door closure
- The cord ensures a good seal
- The door is adjustable and exchangeable
- Kit for self-closing door optional for Instyle 500-1000 series and Instyle Tunnel



A photograph of a misty forest. The trees are tall and thin, with green leaves. The ground is covered in green grass and small plants. The mist is thick, creating a soft, ethereal atmosphere. The lighting is soft and diffused, typical of a foggy day.

Central heating fires

Sustainable and
energy-conscious
wood burning

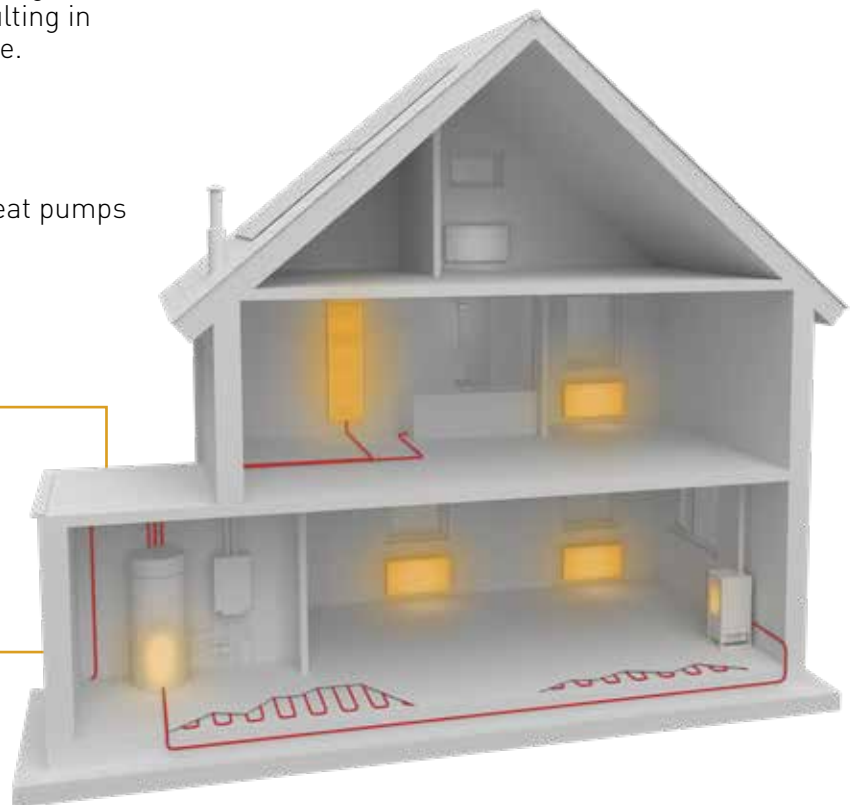
Green Design stands for sustainable, environmentally friendly and energy-conscious heating of fires and stoves connected to a central heating system.

Dik Geurts also supplies fires that you can connect to a central heating system, an environmentally friendly alternative way to heat your home. With these fires the hot flue gases are used to heat the water for your central heating system. Doing this means you get more efficiency from your fire or stove, resulting in a lower energy bill – and it's also sustainable.

- Environmentally friendly heating
- Durable/lower energy usage
- Suitable for any type of home
- Can be combined with solar panels and heat pumps
- Lower energy bill
- Maintenance friendly

More info

If you want to know more about Green Design or the operation of central heating fireplaces, go to www.drufire.com. There you can also download a special Green Design brochure.



IVAR 10 H₂O, STORE



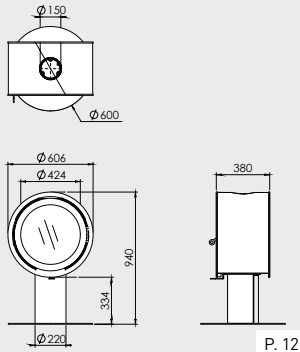
STORE H₂O

Technical drawings

DESIGN FIRES

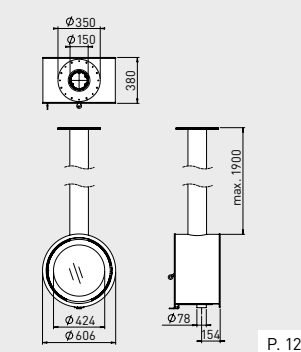
Odin Front

Odin Front, Base



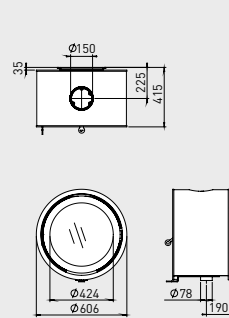
P. 12

Odin Front, Fixed



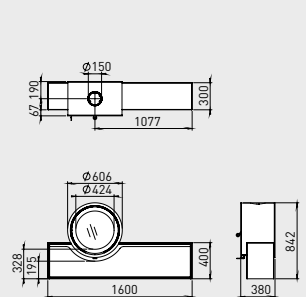
P. 12

Odin Front, Wall



P. 12

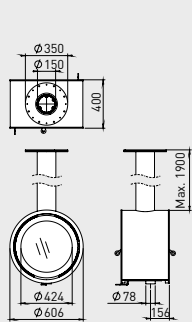
Odin Front, Plateau



P. 13

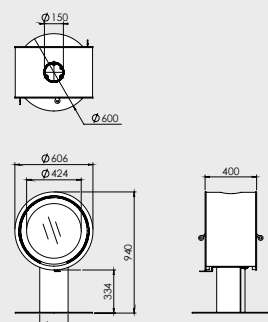
Odin Tunnel

Odin Tunnel, Fixed



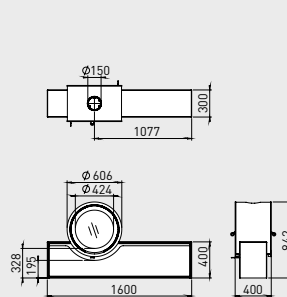
P. 14

Odin Tunnel, Base



P. 15

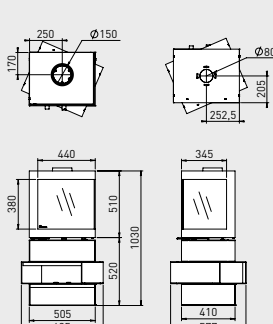
Odin Tunnel, Plateau



P. 15

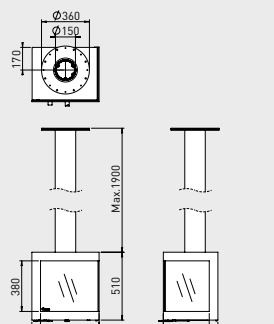
Bora Corner

Bora Corner, Cubes



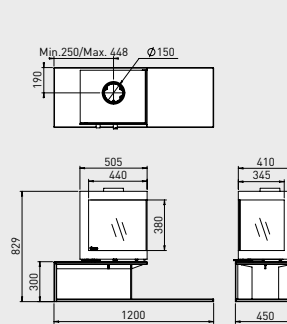
P. 16

Bora Corner, Fixed



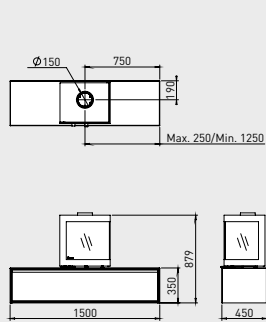
P. 17

Bora Corner, Floating Plateau



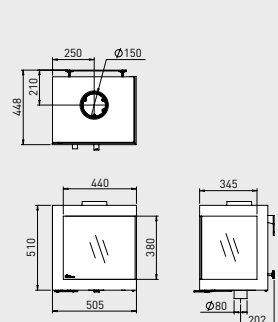
P. 17

Bora Corner, Straight Plateau



P. 18

Bora Corner, Wall

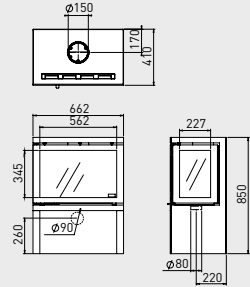


P. 19

WOOD AND MULTI-FUEL STOVES

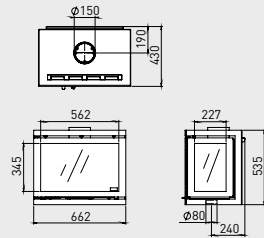
Vidar

Vidar Triple



P. 22

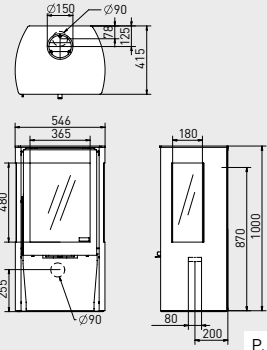
Vidar Wall



P. 23

Kalle

Kalle



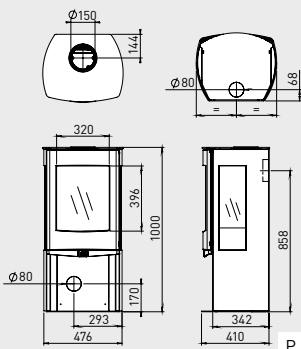
P. 24



Kalle

Folke

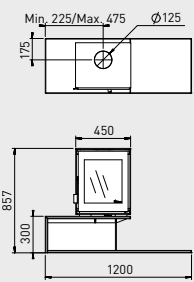
Folke



P. 25

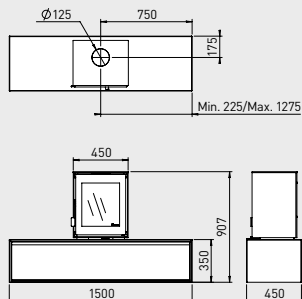
Modivar 5

Modivar 5, Floating Plateau



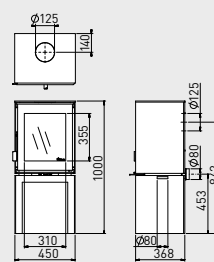
P. 26

Modivar 5, Straight Plateau



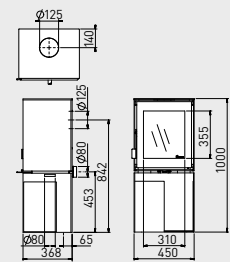
P. 26

Modivar 5, Store Front



P. 26

Modivar 5, Store Corner

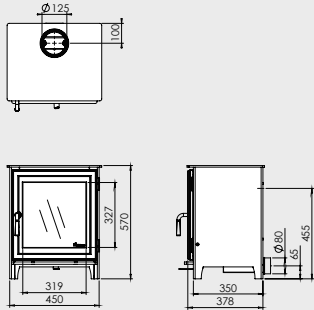


P. 27

WOOD AND MULTI-FUEL STOVES

Soren 5

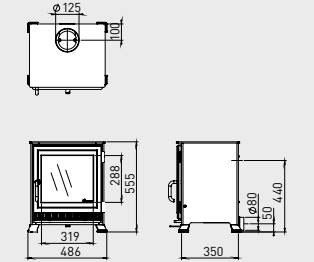
Soren 5



P. 29

Aste 5

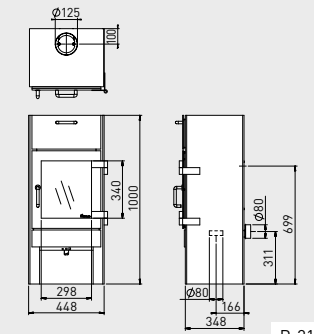
Aste 5



P. 30

Lars 1000

Lars 1000

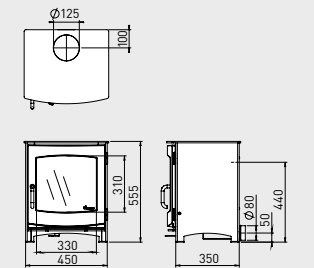


P. 31



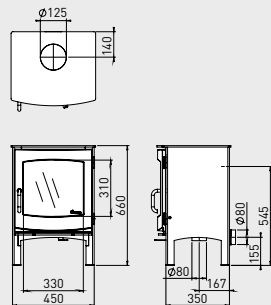
Ivar 5

Ivar 5, Low



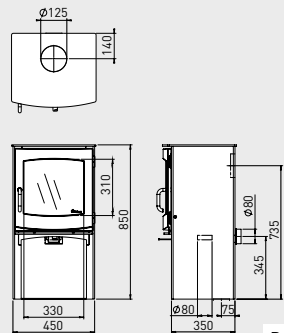
P. 33

Ivar 5, High



P. 34

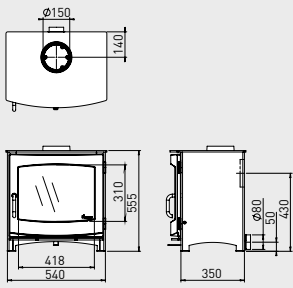
Ivar 5, Store



P. 35

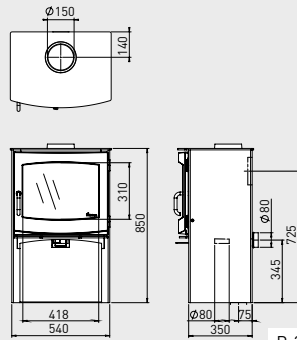
Ivar 8

Ivar 8, Low



P. 36

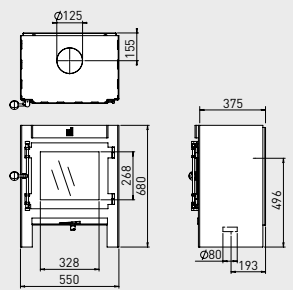
Ivar 8, Store



P. 37

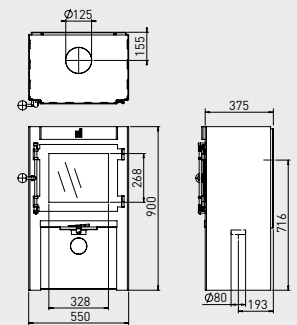
Jannik Medium

Jannik Medium, Low



P. 38

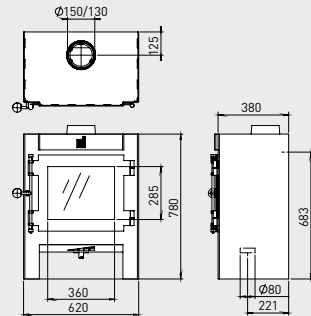
Jannik Medium, High



P. 38

Jannik Large

Jannik Large

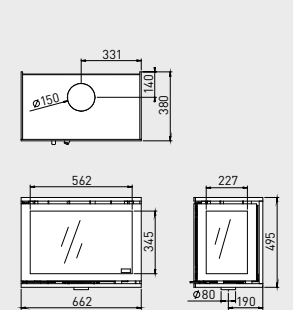


P. 39

INSERT-/BUILT-IN FIRES INSTYLE

Instyle Triple

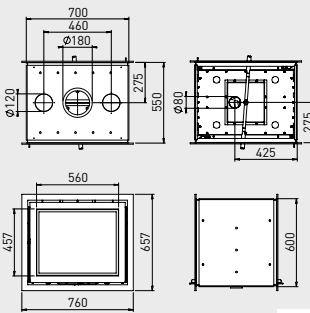
Instyle Triple 660 Low



P. 44

Instyle Tunnel

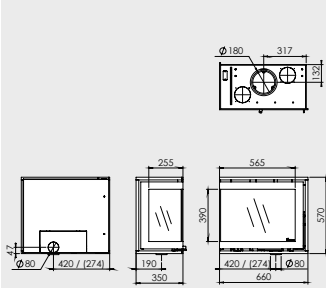
Instyle Tunnel 700
+ Classic Line kader 4S



P. 45

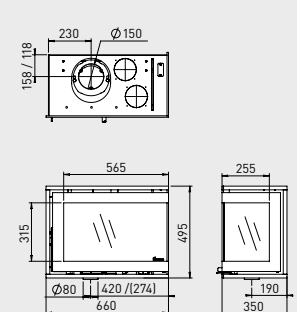
Instyle Corner

Instyle Corner Slim 660/570



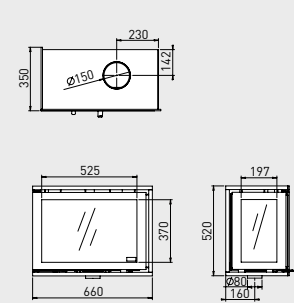
P. 46

Instyle Corner Slim 660/495



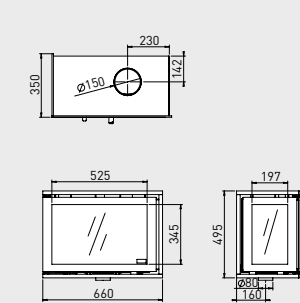
P. 47

Instyle Corner 660 High



P. 48

Instyle Corner 660 Low

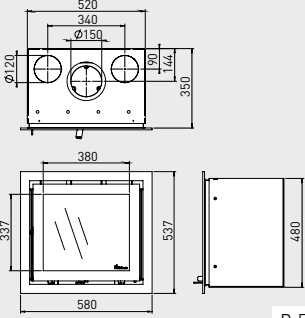


P. 49

INSERT-/BUILT-IN FIRES INSTYLE

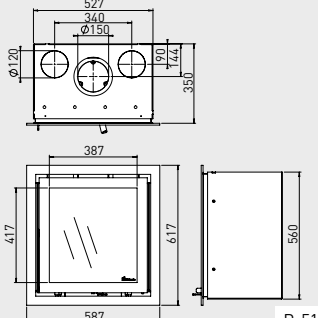
Instyle Front

Instyle 500
+ Classic Line frame 4S



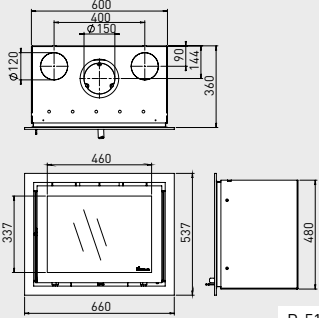
P. 51

Instyle 550
+ Classic Line frame 4S



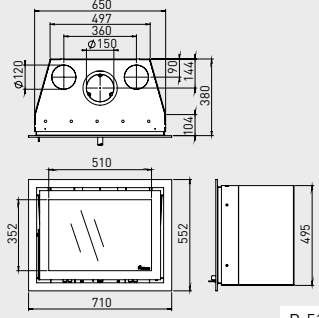
P. 51

Instyle 600
+ Classic Line frame 4S



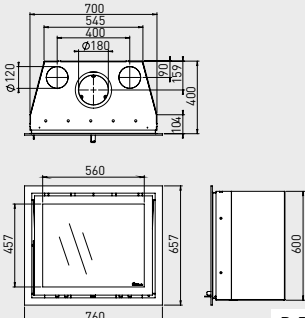
P. 51

Instyle 650
+ Classic Line frame 4S



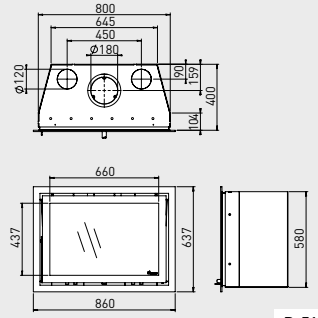
P. 51

Instyle 700
+ Classic Line frame 4S



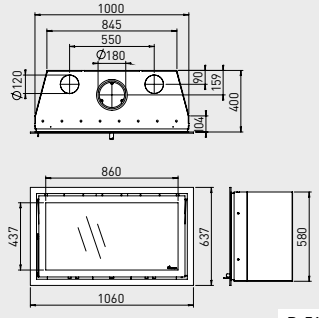
P. 51

Instyle 800
+ Classic Line frame 4S



P. 51

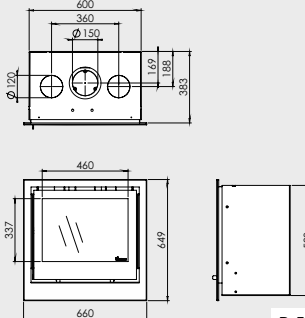
Instyle 1000
+ Classic Line frame 4S



P. 51

Instyle Ventilated

Instyle 600V
+ Modern Line frame

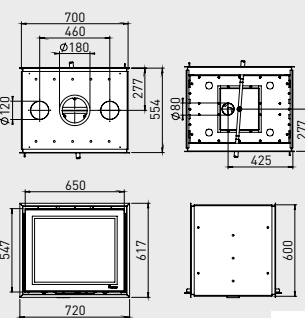


P. 55

INSERT-/BUILT-IN FIRES PROSTYLE

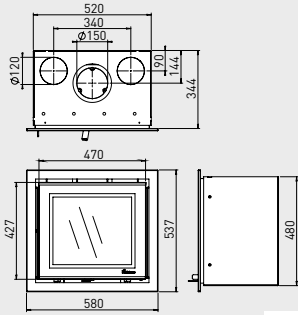
Prostyle Tunnel

Prostyle Tunnel 700
+ Slim Line frame



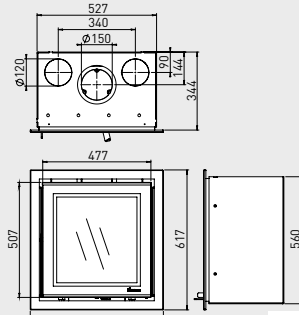
P. 45

Prostyle 500
+ Modern Line frame



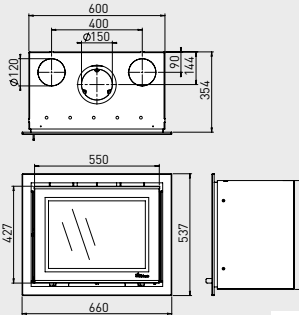
P. 52

Prostyle 550
+ Modern Line frame



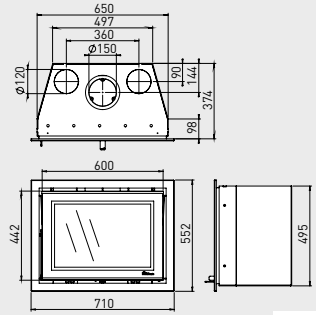
P. 52

Prostyle 600
+ Modern Line frame



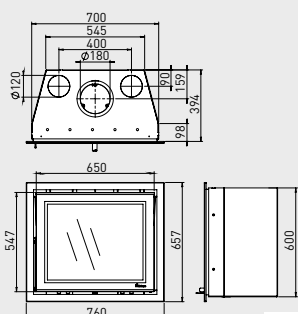
P. 52

Prostyle 650
+ Modern Line frame



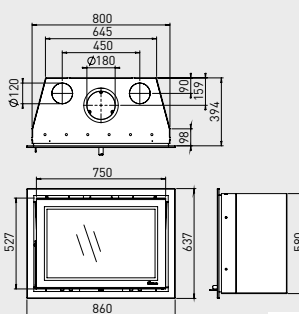
P. 52

Prostyle 700
+ Modern Line frame



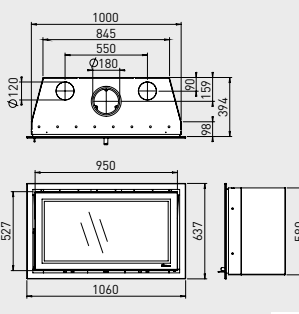
P. 52

Prostyle 800
+ Modern Line frame



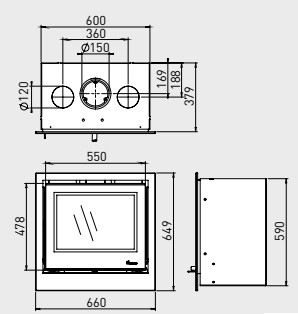
P. 52

Prostyle 1000
+ Modern Line frame



P. 52

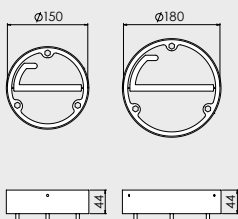
Prostyle 600V
+ Modern Line frame



P. 55

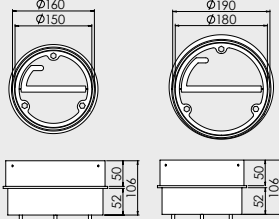
INSERT-/BUILT-IN FIRES CONNECTION OPTIONS

Connection piece



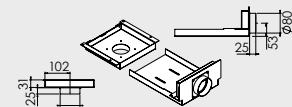
P. 56

Linerkit Pro



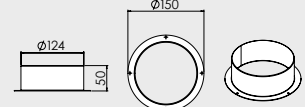
P. 56

External air kit



P. 56

Convection kit



P. 56

Technical specifications

Page	Wood burning fireplaces and stoves	Net output (kW)	Efficiency (%)	Energy efficiency class	Flue upper (ø, mm)	Flue rear (ø, mm)	External air connection (EA)	External air connection (RS)	Maximum log length (cm)	Weight (kg)	Interior vermiculite natural	Interior vermiculite dark anthracite	Infrared glass (IR)	Type: wall	Type: freestanding	Type: free hanging	Type: insert	Type: built-in
Design fires																		
Front fires																		
12	Odin Front, Base ³⁾	4,0 - 8,0	75,2	A	150	-	optional	-	33	100	-	+	-	-	+	-	-	-
12	Odin Front, Fixed ³⁾	4,0 - 8,0	75,2	A	150	-	optional	-	33	85	-	+	-	-	-	+	-	-
12	Odin Front, Wall ³⁾	4,0 - 8,0	75,2	A	150	-	optional	-	33	85	-	+	-	+	-	-	-	-
13	Odin Front, Plateau ³⁾	4,0 - 8,0	75,2	A	150	-	optional	-	33	125	-	+	-	-	+	-	-	-
Tunnel fires																		
14	Odin Tunnel, Fixed	6,0 - 10,0	75,0	A	150	-	optional	-	33	85	-	+	-	-	-	+	-	-
15	Odin Tunnel, Base	6,0 - 10,0	75,0	A	150	-	optional	-	33	130	-	+	-	-	+	-	-	-
15	Odin Tunnel, Plateau	6,0 - 10,0	75,0	A	150	-	optional	-	33	125	-	+	-	-	+	-	-	-
2-sided fires																		
16	Bora Corner, Cubes	4,0 - 9,0	78,1	A	150	-	optional	including	36	145	-	+	+	-	+	-	-	-
17	Bora Corner, Fixed	4,0 - 9,0	78,1	A	150	-	optional	including	36	95	-	+	+	-	-	+	-	-
17	Bora Corner, Floating Plateau	4,0 - 9,0	78,1	A	150	-	optional	including	36	145	-	+	+	-	+	-	-	-
18	Bora Corner, Straight Plateau	4,0 - 9,0	78,1	A	150	-	optional	including	36	140	-	+	+	-	+	-	-	-
19	Bora Corner, Wall	4,0 - 9,0	78,1	A	150	-	optional	including	36	95	-	+	+	+	-	-	-	-
Wood and multi-fuel stoves																		
3-sided fires																		
22	Vidar Triple	4,0 - 9,0	88,0	A+	150	-	including	-	55	165	+	-	+	-	+	-	-	-
23	Vidar Wall	4,0 - 9,0	88,0	A+	150	-	including	-	55	125	+	-	+	+	-	-	-	-
24	Kalle	4,0 - 8,0	85,0	A+	150	150	including	-	40	130	+	-	-	-	+	-	-	-
25	Folke	4,0 - 8,0	77,3	A	150	150	including	including	33	120	+	-	+	-	+	-	-	-
Front fires																		
26	Modivar 5, Floating Plateau ³⁾	4,0 - 7,0	82,0	A+	125/130	125/130	optional	including	35	140	+	-	-	-	+	-	-	-
26	Modivar 5, Straight Plateau ³⁾	4,0 - 7,0	82,0	A+	125/130	125/130	optional	including	35	135	+	-	-	-	+	-	-	-
26	Modivar 5, Store Front ³⁾	4,0 - 7,0	82,0	A+	125/130	125/130	optional	including	35	120	+	-	-	-	+	-	-	-
27	Modivar 5, Store Corner ³⁾	4,0 - 7,0	82,0	A+	125/130	125/130	optional	including	35	120	+	-	-	-	+	-	-	-
28	Soren 5 ^{1) 3)}	4,9 - 7,0	82,0	A+	125/130	125/130	optional	including	35	85	+	-	-	-	+	-	-	-
30	Aste 5 ^{1) 3)}	4,9 - 7,0	82,0	A+	125/130	125/130	optional	including	35	85	+	-	-	-	+	-	-	-
31	Lars 1000	4,9 - 7,0	82,0	A+	125/130	125/130	optional	including	35	100	+	-	-	-	+	-	-	-
33	Ivar 5, Low ^{1) 3)}	4,9 - 7,0	82,0	A+	125/130	125/130	optional	including	35	85	+	-	-	-	+	-	-	-
34	Ivar 5, High ^{1) 3)}	4,9 - 7,0	82,0	A+	125/130	125/130	optional	including	35	90	+	-	-	-	+	-	-	-
35	Ivar 5, Store ^{1) 3)}	4,9 - 7,0	82,0	A+	125/130	125/130	optional	including	35	105	+	-	-	-	+	-	-	-
36	Ivar 8, Low ^{1) 3)}	5,0 - 10,0	76,6	A	150	150	optional	including	46	100	+	-	-	-	+	-	-	-
37	Ivar 8, Store ^{1) 3)}	5,0 - 10,0	76,6	A	150	150	optional	including	46	120	+	-	-	-	+	-	-	-
38	Jannik Medium, Low ³⁾	4,9 - 7,0	82,0	A+	125/130	125/130	optional	-	35	90	+	-	-	-	+	-	-	-
38	Jannik Medium, High ³⁾	4,9 - 7,0	82,0	A+	125/130	125/130	optional	-	35	90	+	-	-	-	+	-	-	-
39	Jannik Large	4,0 - 8,0	87,0	A+	130&150	130&150	optional	-	40	128	+	-	-	-	+	-	-	-



Page	Wood burning fireplaces and stoves	Net output (kW)	Efficiency (%)	Energy efficiency class	Flue upper (ø, mm)	Flue rear (ø, mm)	External air connection (EA)	External air connection (RS)	Maximum log length (cm)	Weight (kg)	Interior vermiculite natural	Interior vermiculite dark anthracite	Infrared glass (IR)	Type: wall	Type: freestanding	Type: free hanging	Type: insert	Type: built-in
Inserts and built-in wood fires																		
3-sided fires																		
44	Instyle Triple 660 Low	4,0 - 9,0	88,0	A+	150	-	including	-	55	102	+	-	+	-	-	-	+	-
2-sided fires																		
46	Instyle Corner Slim 660/570 ³¹	5,0 - 10,0	80,0	A	180	-	optional	including	50	120	+	-	+	-	-	-	+	+
47	Instyle Corner Slim 660/495 ³¹	4,0 - 10,0	75,2	A	150 ²⁾	-	optional	including	51	110	+	-	-	-	-	-	+	+
48	Instyle Corner 660 High	4,0 - 9,0	83,0	A+	150	-	including	-	50	105	+	-	-	-	-	-	+	-
49	Instyle Corner 660 Low	4,0 - 9,0	83,0	A+	150	-	including	-	50	105	+	-	-	-	-	-	+	-
Front fires																		
51	Instyle 500 ³¹	3,0 - 7,0	82,0	A+	150	-	optional	-	35	80	+	-	-	-	-	-	+	+
51	Instyle 550 ³¹	3,0 - 7,0	81,0	A+	150	-	optional	-	36	94	+	-	-	-	-	-	+	+
51	Instyle 600 ³¹	3,0 - 7,0	79,6	A	150	-	optional	-	42	120	+	-	-	-	-	-	+	+
51	Instyle 650 ³¹	3,0 - 9,0	80,5	A	150	-	optional	-	40	108	+	-	-	-	-	-	+	+
51	Instyle 700 ³¹	6,0 - 12,0	81,6	A+	180	-	optional	-	45	116	+	-	-	-	-	-	+	+
51	Instyle 800	8,0 - 12,0	76,6	A	180	-	optional	-	55	130	+	-	-	-	-	-	+	+
51	Instyle 1000	9,0 - 13,0	77,7	A	180	-	optional	-	75	145	+	-	-	-	-	-	+	+
52	Prostyle 500 ³¹	3,0 - 7,0	82,0	A+	150	-	optional	-	35	80	+	-	-	-	-	-	+	+
52	Prostyle 550 ³¹	3,0 - 7,0	81,0	A+	150	-	optional	-	36	94	+	-	-	-	-	-	+	+
52	Prostyle 600 ³¹	3,0 - 7,0	79,6	A	150	-	optional	-	42	120	+	-	-	-	-	-	+	+
52	Prostyle 650 ³¹	3,0 - 9,0	80,5	A	150	-	optional	-	40	108	+	-	-	-	-	-	+	+
52	Prostyle 700 ³¹	6,0 - 12,0	81,6	A+	180	-	optional	-	45	116	+	-	-	-	-	-	+	+
52	Prostyle 800	8,0 - 12,0	76,6	A	180	-	optional	-	55	130	+	-	-	-	-	-	+	+
52	Prostyle 1000	9,0 - 13,0	77,7	A	180	-	optional	-	75	145	+	-	-	-	-	-	+	+
Ventilated																		
55	Instyle 600V/Prostyle 600V ³¹	4,0 - 7,0	79,6	A	150	-	optional	-	42	130	+	-	-	-	-	-	+	-
Tunnel fires																		
45	Instyle Tunnel 700	9,0 - 12,0	83,0	A+	180	-	optional	including	52	140	+	-	-	-	-	-	+	+
45	Prostyle Tunnel 700	9,0 - 12,0	83,0	A+	180	-	optional	-	52	140	+	-	-	-	-	-	+	+

¹⁾ Multi-fuel kit available for burning multi-fuel/coals.

²⁾ SlideConnect® = variable connection to the flue (can be shifted to 4 cm).

³⁾ Defra approved = approved to use in smoke controlled areas.



Dealer

 **Dik Geurts**
Creation of flames

DRU Verwarming B.V.
P.O. Box 1021, 6920 BA Duiven
Ratio 8, 6921 RW Duiven

The Netherlands

T. +31 (0)26 - 319 5 319
F. +31 (0)26 - 319 5 348
www.geurts.nl

Drugasar Ltd.
Deans Road, Swinton
Manchester, M27 0JH

United Kingdom

T. +44 (0)161 - 793 8700
F. +44 (0)161 - 727 8057
www.dikgeurts.uk

DRU Belgium
Kontichsesteenweg 69/1
2630 Aartselaar

Belgium


T. +32 (0)3 - 450 7000
F. +32 (0)3 - 450 7009
www.dikgeurts.be

since
1754



BY APPOINTMENT OF
THE COURT OF THE NETHERLANDS

Art.9934/6 | 2022-02

 Dik Geurts is a trademark of DRU Verwarming B.V. Subject to changes. The colours in this brochure may vary from the actual products. Nothing in this publication may be used without prior written consent from DRU Verwarming B.V.

SOCIAL MEDIA: For more inspiration and information, visit one of our social media channels or scan the QR code:

